

Introduction

This Customer Notice provides detail further to Customer Notices LLWR-CN-2015-20 and LLWR-CN-2015-22, which were issued regarding the risk of water ingress to TC01, TC03 and TC08 containers.

This Customer Notice is directed to customers who currently own or are in custody of affected IP-2 ISO TC01, IP-2 ISO TC03, or IP-2 ISO TC08 designs (see referenced Customer Notices for detail of affected containers). It communicates the requirements and method for fitting breathable gaskets (see Figure 1) to the aforementioned containers in order to mitigate against potential water ingress.

The breathable gaskets are an interim measure to be implemented until all affected containers are phased out of use. LLWR recommends phasing all affected containers out of any re-use schemes.

The breathable gaskets are manufactured from bright yellow PVC so as to distinguish them from the vent port gaskets.

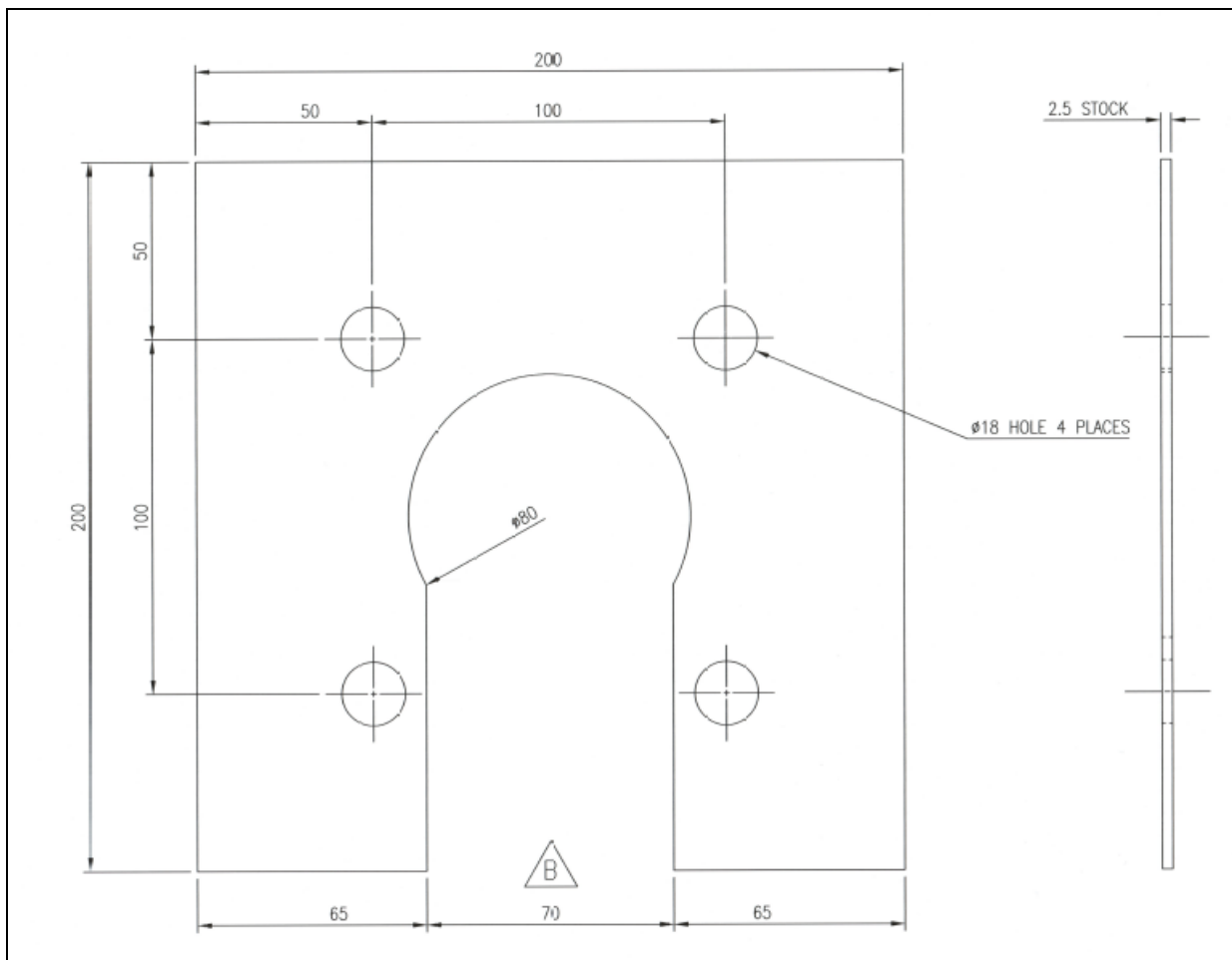


Figure 1: Breathable Gasket (Correct Orientation)

Requirements

Empty Containers

The breathable gaskets must be fitted to all affected empty IP-2 TC01, TC03 and TC08 containers.

Loaded Containers / Containers Being Loaded

The breathable gaskets must be fitted to affected loaded TC01s, TC03s, and TC08s provided that the following conditions are met:

- a) The resulting air gap of 175mm² is sufficient for the expected hydrogen release from a container's contents, according to your site safety case
- b) The container is in storage and not scheduled for imminent transport

If the above conditions are not met, or if an empty container with a breathable gasket fitted is loaded in such a way that the above conditions are not met, then the breathable gaskets shall not be fitted or shall be removed, respectively. In this instance, containers should be stored with their vent ports open, as per the Packing and Handling Instruction OM_0102940_MECH_00006_E. Alternate storage options shall be considered so as to minimise potential water ingress (e.g. storage under cover), and LLWR shall be notified.

NOTE: As per Section 6 of the Certificate of Approval and Paragraph 629 of the Transport Regulations, only solid contents may be carried within freight containers. If water ingress/free liquid is suspected, then the container must not be transported, and LLWR informed.

Containers Due For Transport

When a container is prepared for transport, the breathable gasket must be removed (and can be stored for re-use) and replaced with the original vent port gasket. Containers must not be transported with the yellow breathable gasket fitted. Customers should consider including this step as an additional dispatch check.

Containers being operated under the ACEP regime must be vented on receipt and fitted with a second breathable gasket (provided by LLWR) at the consignee location, provided that the above conditions have been met and the respective site safety case advisor has granted authorisation. Please refer to the methodology below.

Method

LLWR are distributing the breathable gaskets by courier/post free of charge to customers and treatment facilities.

Please affix the breathable gaskets where required immediately upon receipt. The method is detailed below.

CAUTION: If the container is loaded, authorisation to fit the breathable gasket must be obtained from your own Site Safety Case Advisor.

1. Consignors shall conduct their own risk assessments prior to starting work, taking into consideration:
 - a) working at height, if container is not located on the ground
 - b) dose restrictions, if container is loaded
2. Receive/obtain breathable gaskets from LLWR.
3. Check all breathable gaskets for any defects or damage (see Figure 1). If replacement breathable gaskets are required, contact LLWR via the transportandlogistics@llwrsite.com mailbox.
4. Unbolt the vent port cover.
5. Remove the vent port cover and vent port gasket, and store the vent port gasket for future use.

NOTE: To source a replacement vent port gasket for TC01s, TC03s, and TC08s, please contact the LLWR Transport and Logistics team at transportandlogistics@llwrsite.com.
6. Locate the breathable gasket with the slot opening orientated downwards (as pictured in Figure 1) against the vent port flange so that on a TC01 or TC03 its boltholes align with the vent port flange boltholes, or, on the TC08, it locates on the vent port flange studs.
7. Fit the vent port cover against the breathable gasket and tighten the four fasteners to a torque of 38Nm \pm 2Nm.

NOTE: The breathable gasket must be removed and the vent port gasket re-fitted when the container is to be transported. Customers should consider including this step as an additional dispatch check.

Further Information and Questions

If you require any further information or have any queries relating to this Customer Notice, please send an e-mail to: transportandlogistics@llwrsite.com or call: Packaging Services on 019467 70301

Distribution List

We have issued this Notice to the following people from your Company's Contact Details Form (Reference: WSC-FOR-CON):

- All nominated representatives

If you need to update these details, please submit a revised Form: <http://llwrsite.com/customer-portal/resources>